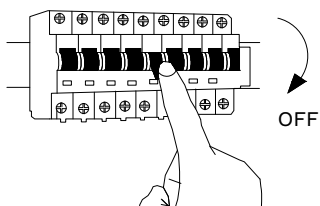
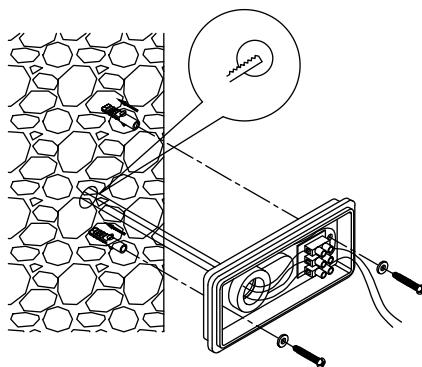


1



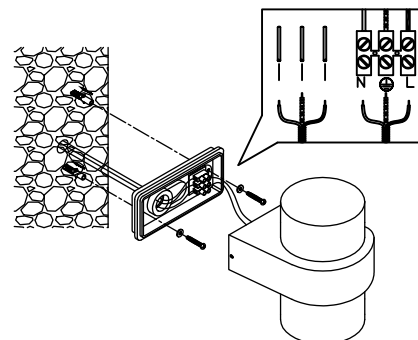
Turn off the general switch

2



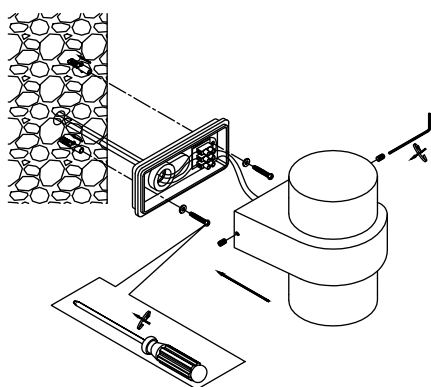
Create a CutOut
Mark, drill holes & apply plastic anchors

3



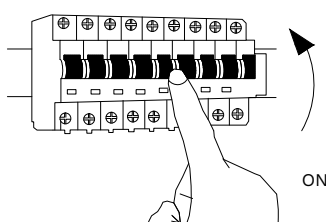
Connect wires

4



Fix it in place by tying up screws

5



Turn on the general switch

6

