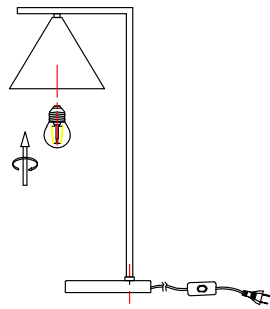
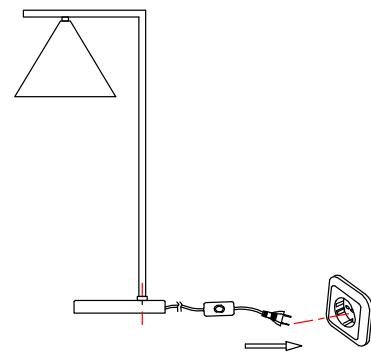


1



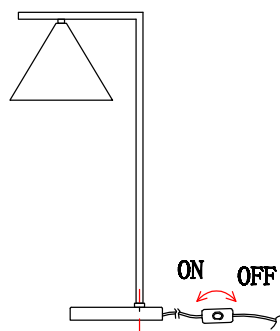
Insert the bulb

2



Plug it in

3



Control the switch ON / OFF

