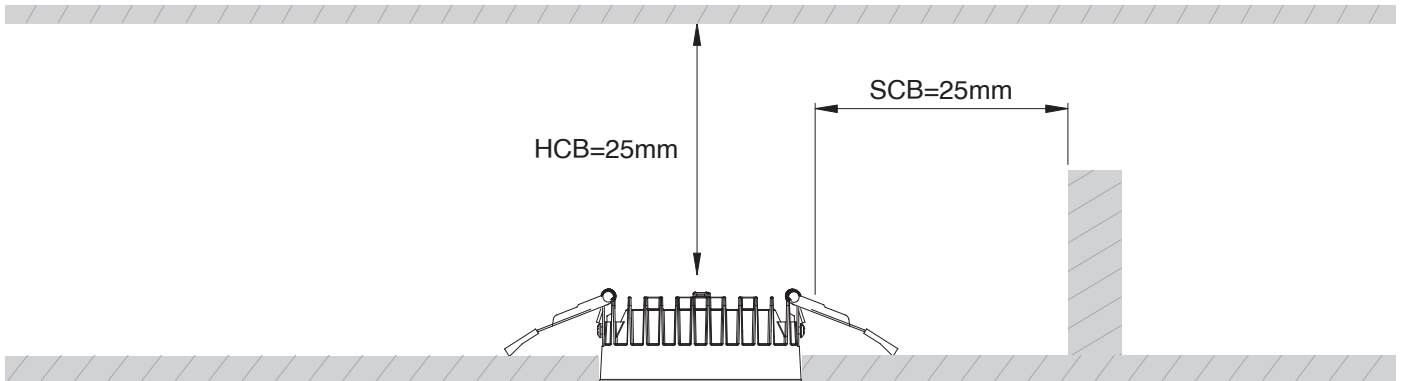


Installation Instruction

Fig 1: Installation Spacing



RISK OF FIRE -Required clearance from structural members and building elements
 SCB=25mm HCB=25mm MIC=0mm SCI=0mm

HCB: Height clearance to building element
 MIC: Minimum insulation clearance
 SCI : Side clearance to insulation
 SCB: Side clearance to building element

Ceiling cutout table

Downlight Dia (inch)	2.5	3	4	6	8
Ceiling Cutout (mm)	68-75	90-95	120-130	160-170	200-210

IP rating table: Before installation, please check the IP label on the luminaire to choose the right place to install.

IP40	Indoor use only, do not use in wet or damp place.
IP54	Suitable for indoor areas including bathrooms and covered/sheltered areas such as porches.

Dimmer selection table: Before installation, please check the information of driver as below .

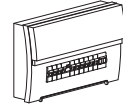
Non-dim	Can not be used with any dimmer .
Triac dim	Compliable with recommended TRIAC dimmers, dimming range 8-100%.

Part 1

Installation Procedure

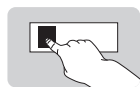
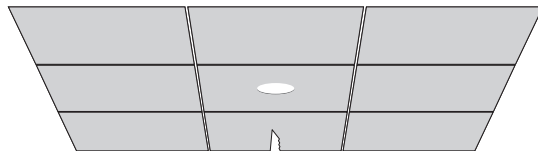
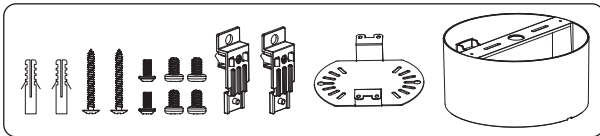
WARNING

1. Switch off before installation
2. Switch on only after complete installation and examination of the circuit.
3. Professional electrician for installation and maintenance only.
4. Input wire diameter $\geq 0.75\text{mm}^2$
5. Product modification & improper installation are not valid for warranty!
6. Light source of the luminaire is non-user-replaceable, if it is damaged, the luminaire shall be destroyed
1. Warning-risk of overheating or fire if the clearance distances are compromised!



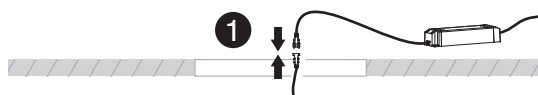
CAUTION
Risk of electric shock

Downlight with external driver

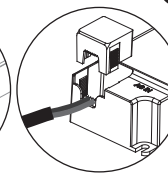
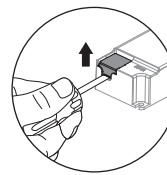
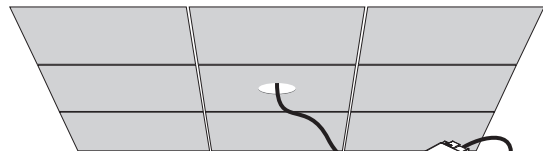


select preferred colour temperature for produce in CCT change function

CutOut (refer to cutout table)



1. Apply side screws to connect parts

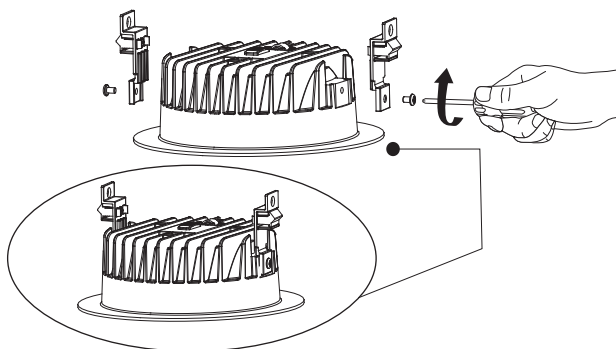


L — Switched
N — Neutral

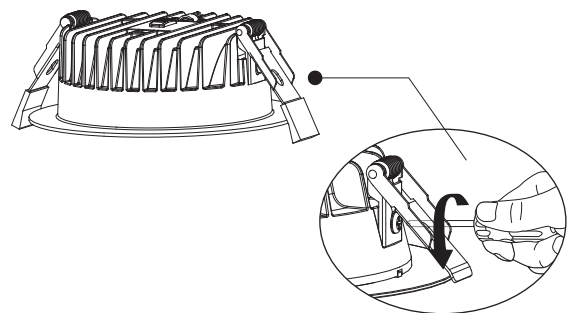


2. Adjust the tightness of the screws to help you out in place the clips

2 Screw Surface Mounted Installation

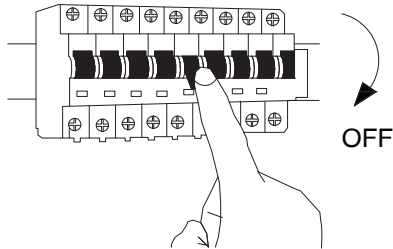


Apply side screws to connect parts

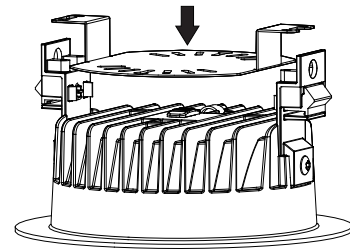


2. Adjust the tightness of the screws to help you out in place the clips

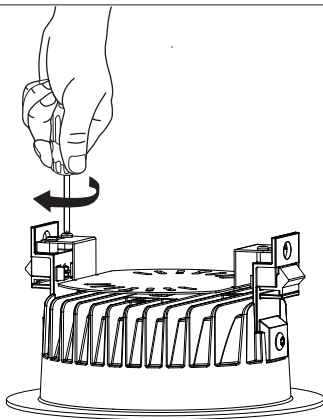
Instruction Manual



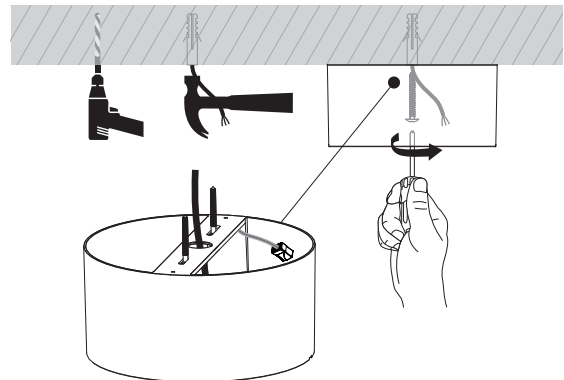
1. Turn off the general Switch



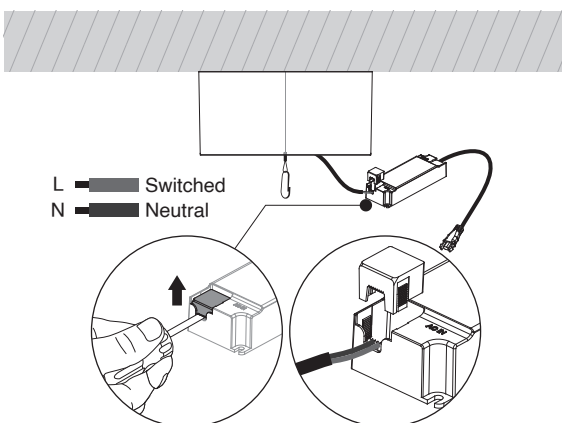
2. Apply the upper part



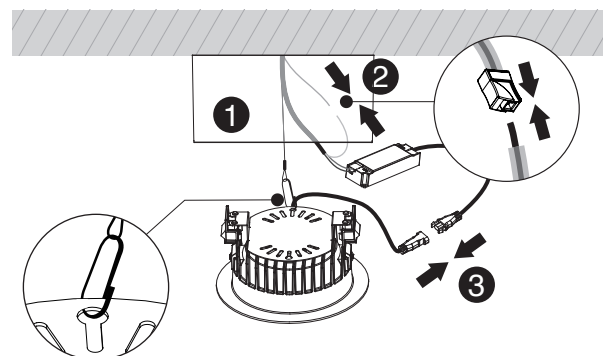
3. Connect parts together by tidying them up



4. Mark & drill holes & prepare the wires

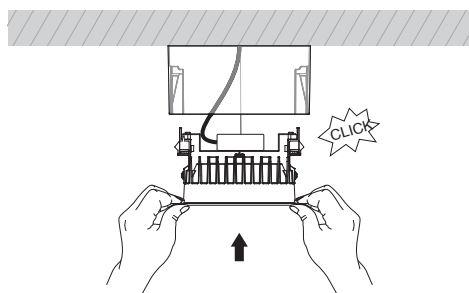


5. Connect wires

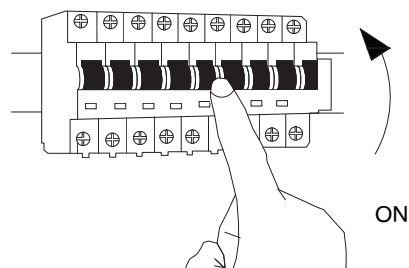


6. Plug in the wires & support the product with the hook

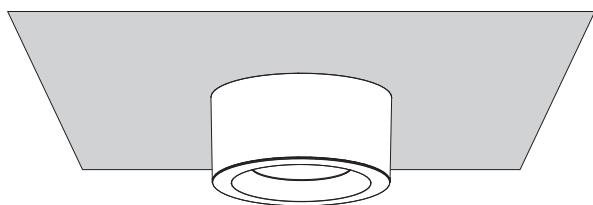
Instruction Manual



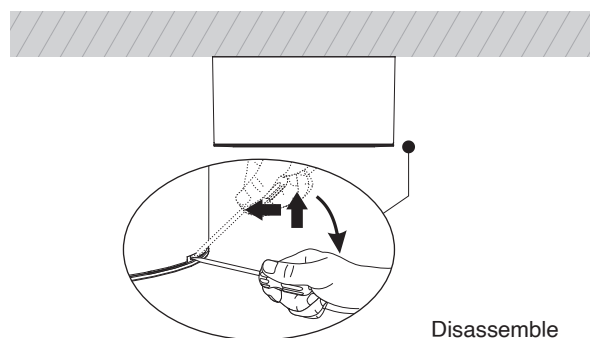
7. Insert the light by clicking it into place



8. Turn on the general Switch



COMPLETE



Disassemble