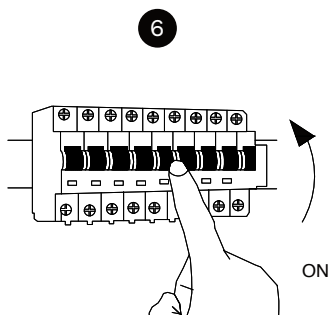
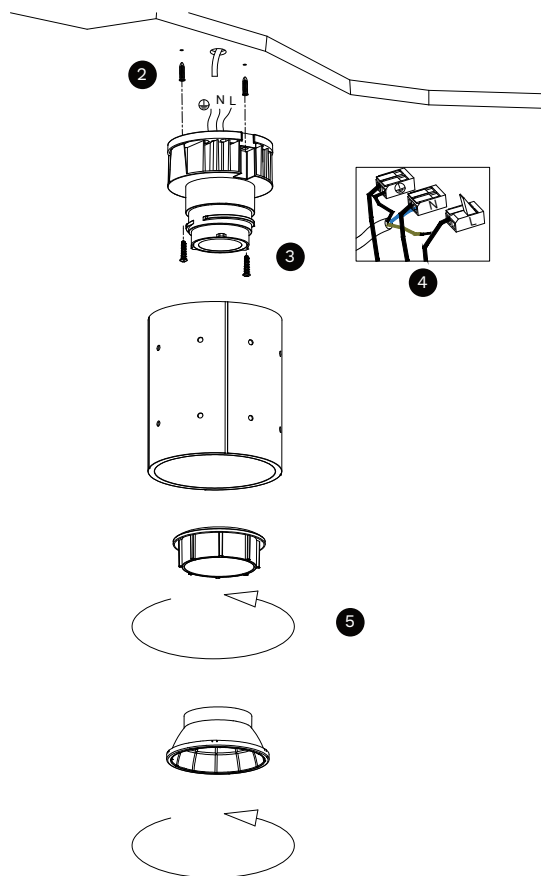


Turn off the general switch



Turn on the general switch



1. Turn off general switch
2. Drill a holes, apply plastic anchors
3. Apply screws
4. Connect the wires
5. Put it in place & Apply the plastic elements
6. Turn on the general switch

