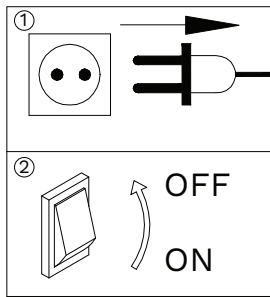


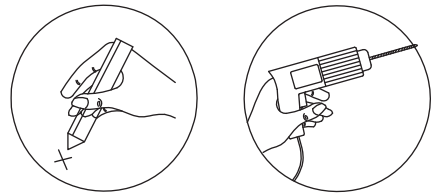
①



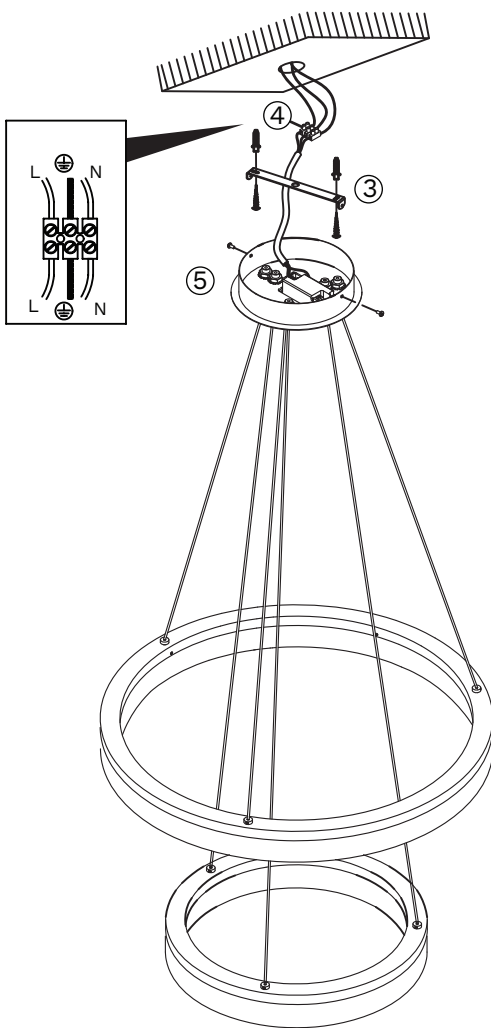
Unplug it from power

Turn off the Switch

②



Mark & drill holes

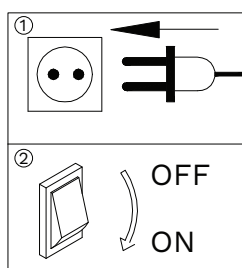


③ Apply screws

④ Connect wires

⑤ Fix luminaire into place

⑥



Plug it in power

Turn on the Switch