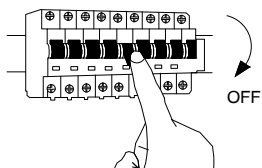
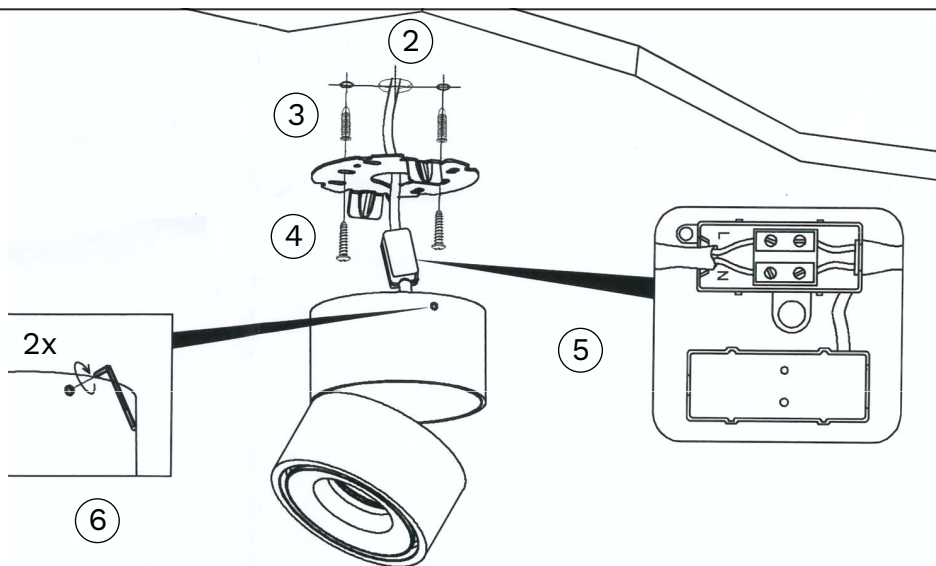


①



Turn off the general switch

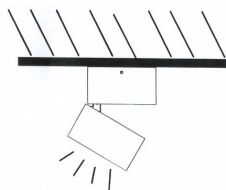


2. Create a Cut Out
3. Allign, mark & drill holes.  
Apply plastic holes
4. Tie up the screws to fix it place
5. Connect wires
6. Tie up side screws

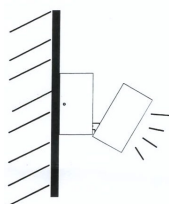
⑦

The instalation can be either way

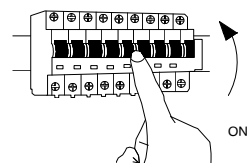
Ceiling:



Wall:



⑧



Turn on the general Switch

