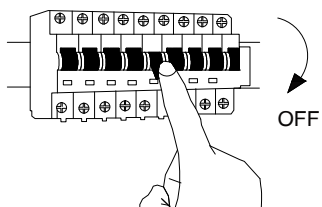


NOVA LUCE

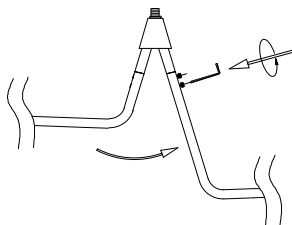
9035977

1



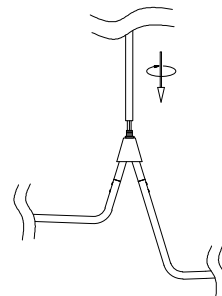
Turn off the general switch

2



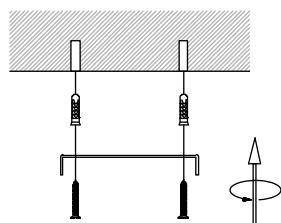
Connect parts together by tying up the screws

3



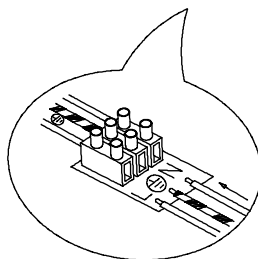
Mark & drill holes
Apply plastic anchors & tie up screws

4



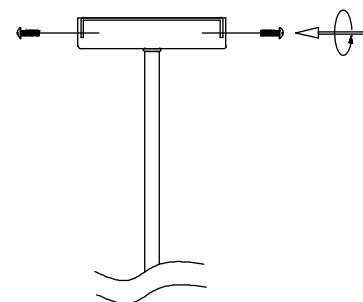
Connect wires

5



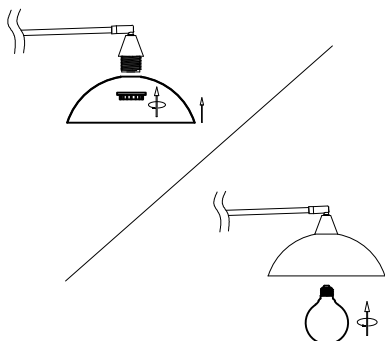
Apply side screws
to fix it into place

6



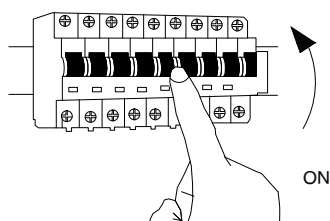
Apply side screws
to make it stable

7



Assemble parts together
& insert the bulbs by rotate

8



Turn on the general switch

