

NOVA LUCE

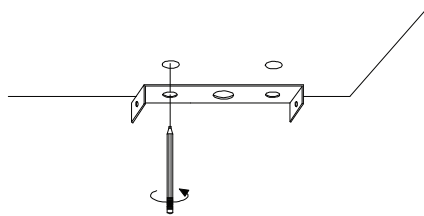
9392011

1



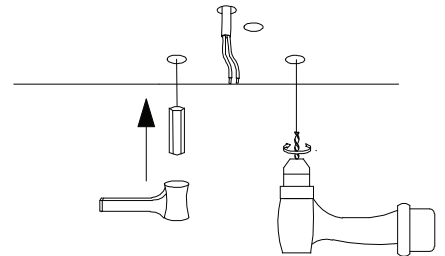
Turn off the general switch

2



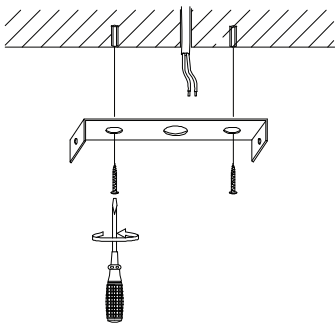
Mark where to drill holes

3



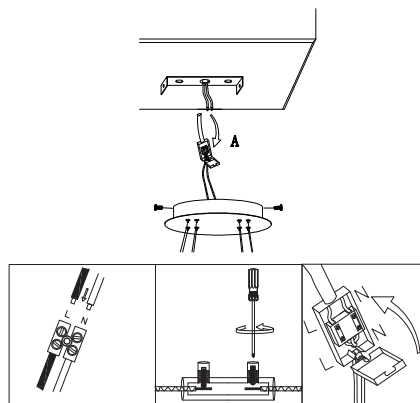
Make holes & apply anchors

4



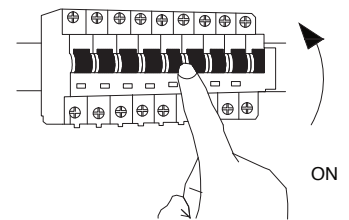
Tie up the screws
To make it stable

5



Connect the wires

6



Turn off general switch

