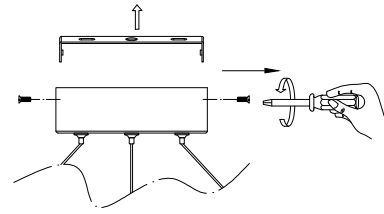
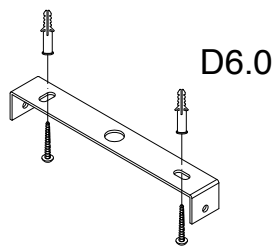


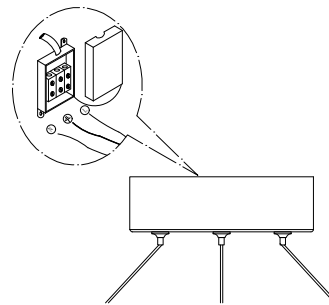
1. Turn off the general switch



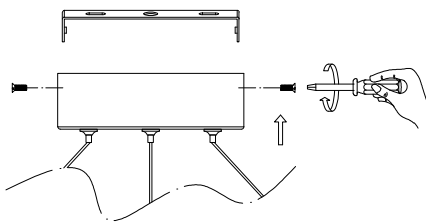
2. Untight the side screws



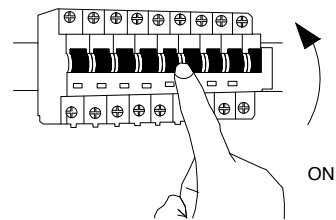
3. Align, mark and drill holes
To apply the screws



4. Connect the wires



5. Apply the Side screws



6. Turn on the general switch

