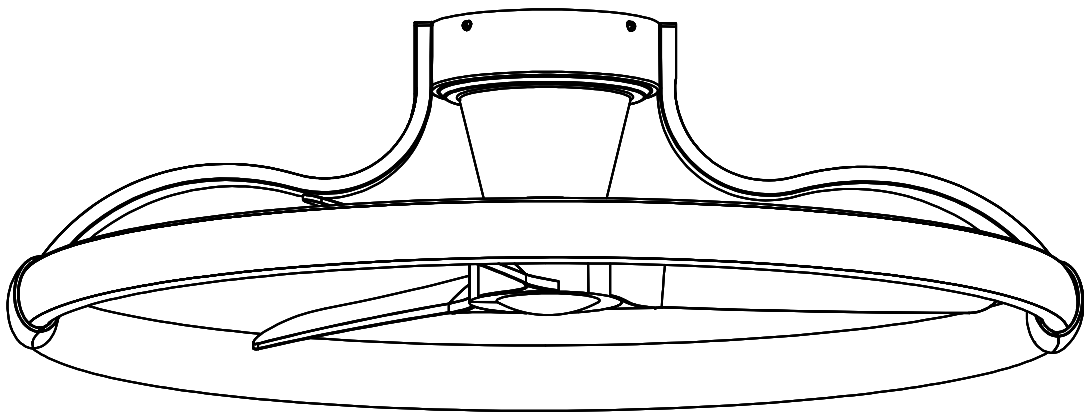


# NOVA LUCE

9952380



INSTALLATION GUIDE

# Cautions and Warnings

.....  
INSTALLATION. SAVE THESE INSTRUCTIONS.

.....  
xxxxxx replacement parts.

.....  
support structure of the building according to these instructions,  
and use only the hardware supplied.

.....  
disconnect the power by turning off the circuit breakers to the  
outlet box and associated wall switch location. If you cannot lock  
the circuit breakers in the off position, securely fasten a prominent  
warning device, such as a tag, to the service panel.

.....  
codes and ANSI/NFPA 70. If you are unfamiliar with wiring, use a  
qualified electrician.

.....  
attachment system when installing, balancing, or cleaning the fan.  
Never insert foreign objects between rotating fan blades.

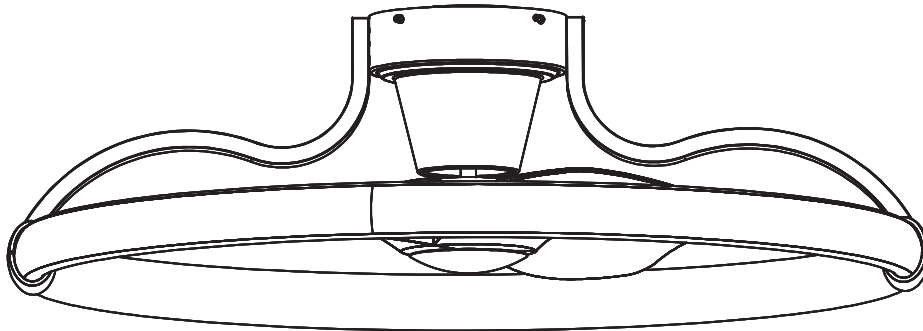
.....  
use a solid-state speed control with this fan. Use only xxxxxx speed  
controls

NOTE: The important safety precautions and instructions appearing  
in the manual are not meant to cover all possible conditions  
and situations that may occur. It must be understood that common sense  
and caution are necessary factors in the installation  
and operation of this fan.

# Parts Inventory

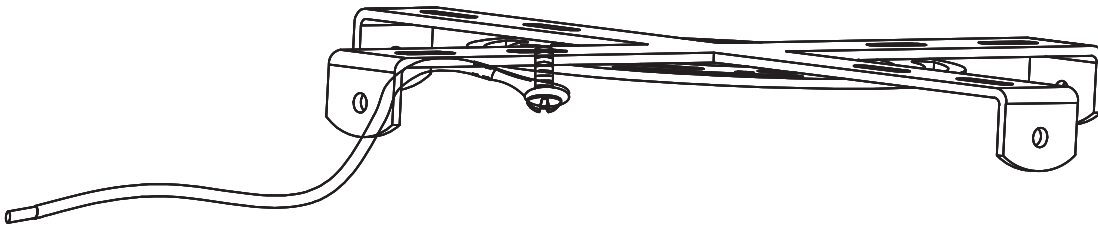
Carefully open the packaging. Remove items from Styrofoam inserts. Remove motor housing and place on carpet or Styrofoam to avoid damage to finish. Check against parts inventory that all parts have been included.

- • Downrod and hanging ball



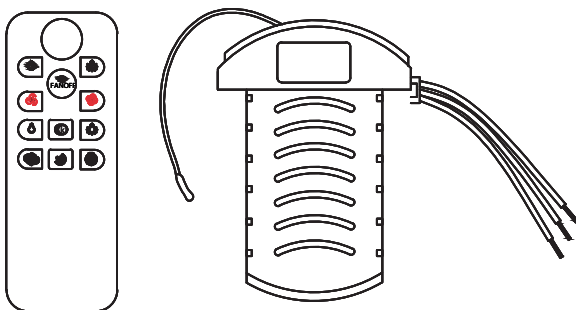
x1

Subject



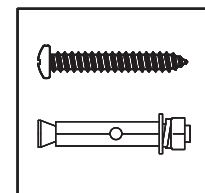
x1

Hanger bracket



x1

Remote control



x4

x2

Spiral package

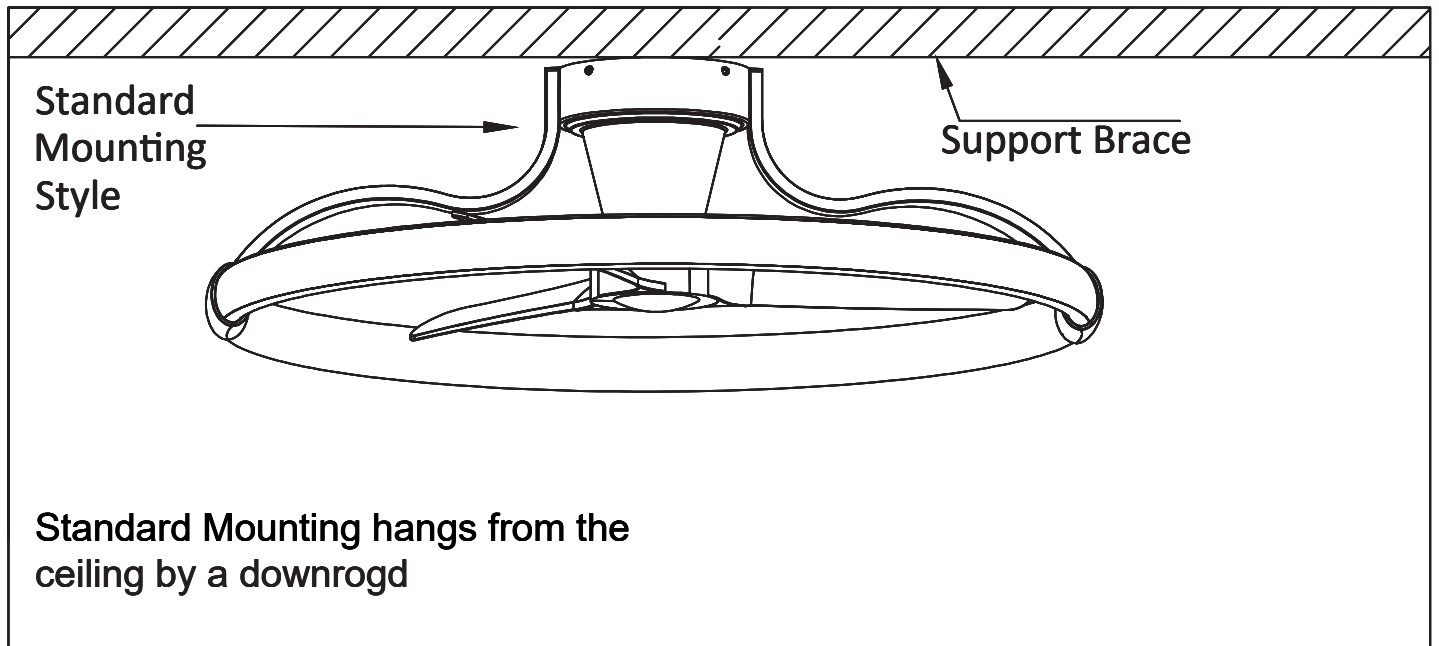
## Preparing the Fan Site

### Downrod Installation

This fan can be mounted with a downrod on a normal or vaulted ceiling. The hanging length can be extended by a longer downrod.

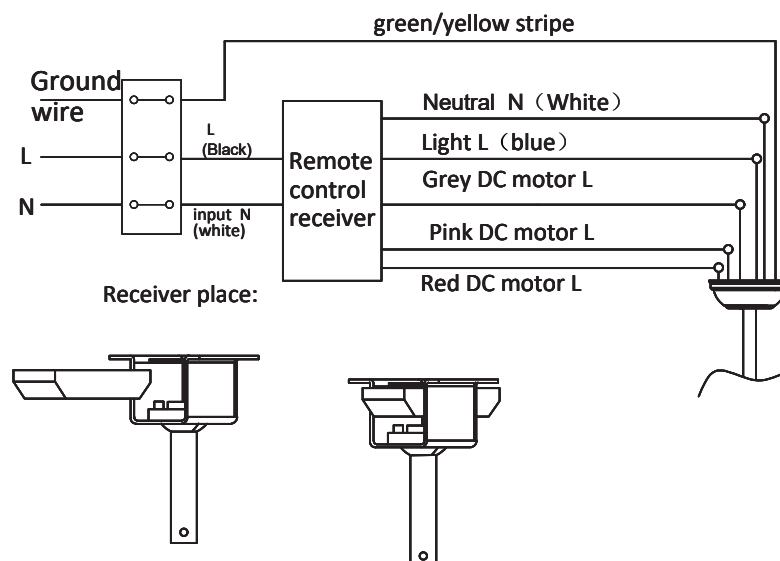
Installation requires these tools:

Screwdriver, flat-head screwdriver, adjustable pliers or wrench, stepladder, wire cutters, and rated electrical tape.



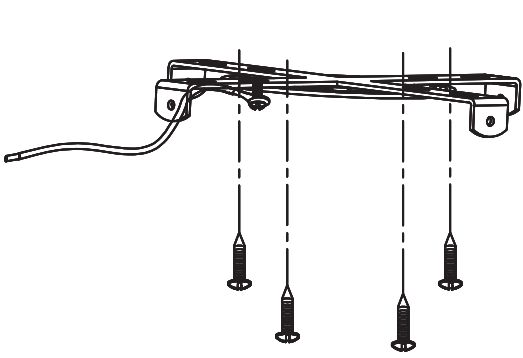
## way to install

DC:

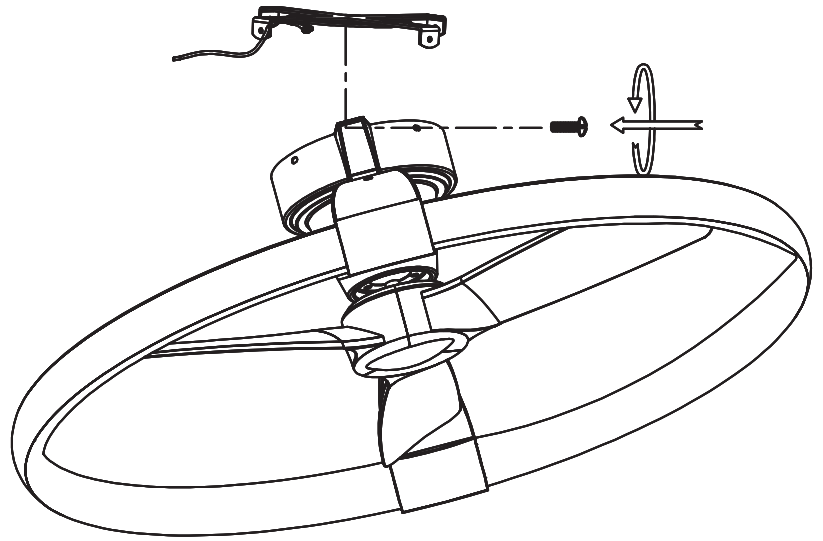


## Remote control connection

way to install



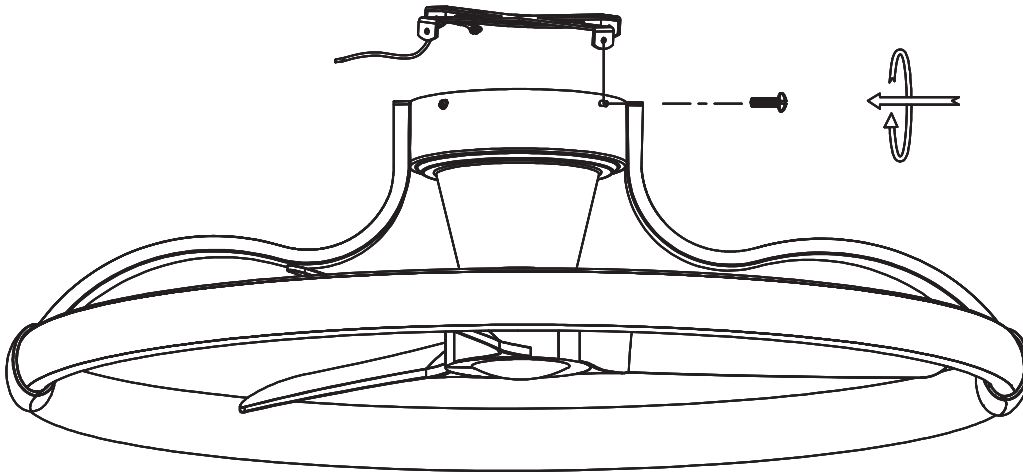
1



2

Suspension Hardware

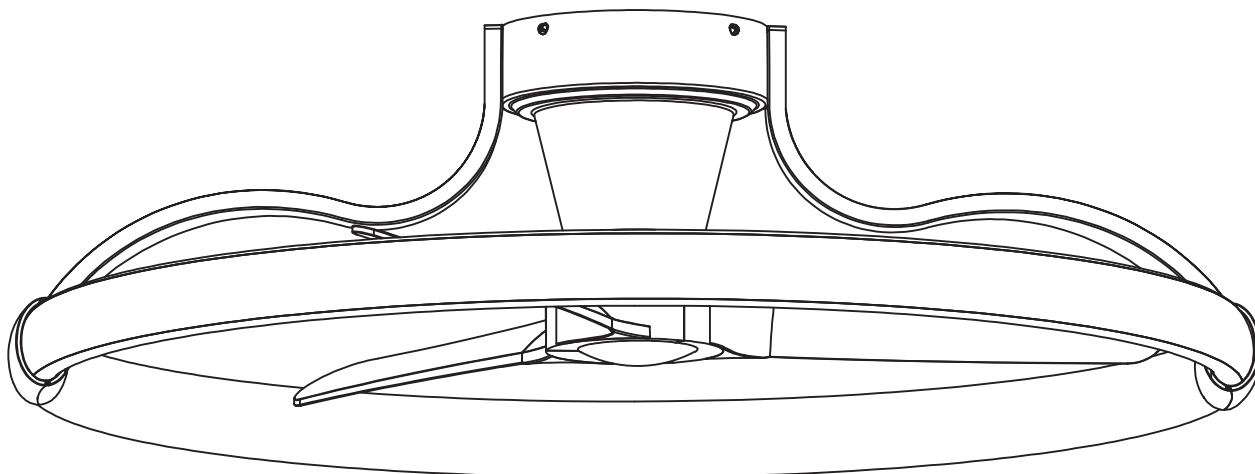
1



Mounting bolt

way to install

2



ok