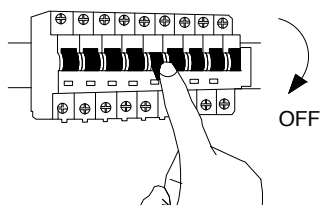
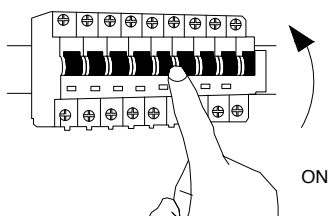


1

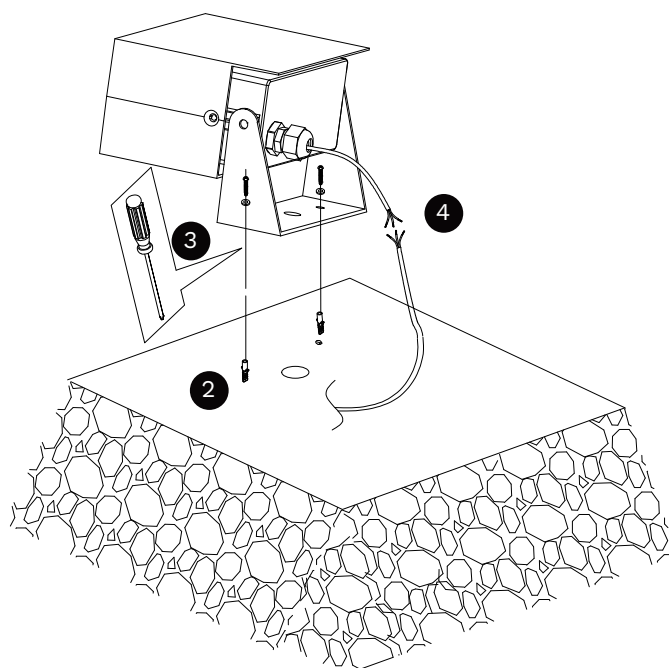


Turn off the general switch

5



Turn on the general switch



1. Turn off general switch
2. Drill holes apply plastic anchors
3. Apply screws
4. Connect the wires
5. Turn on the general switch

