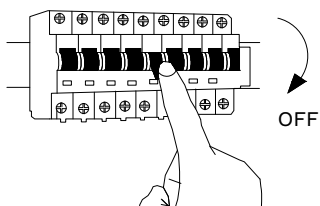


# NOVA LUCE

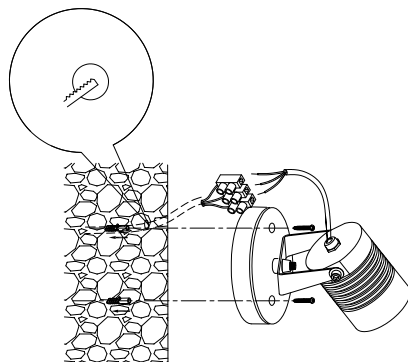
9971451, 9971452

1



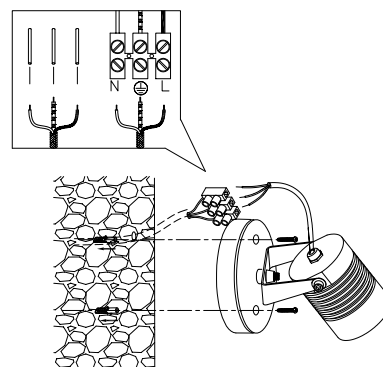
Turn off the general switch

2



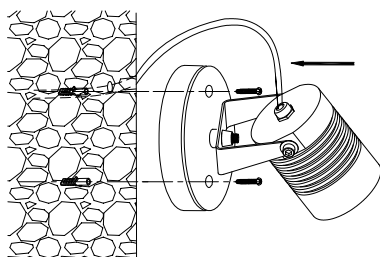
Create a CutOut  
Mark, drill holes & apply plastic anchors

3



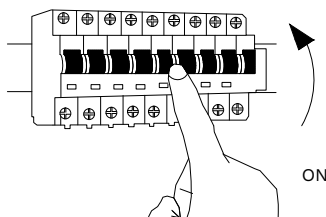
Connect wires

4



Fix it in place by tying up the screws

5



Turn on the general switch

6

