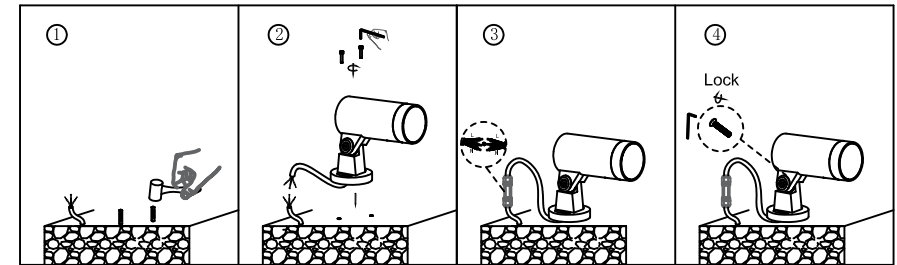
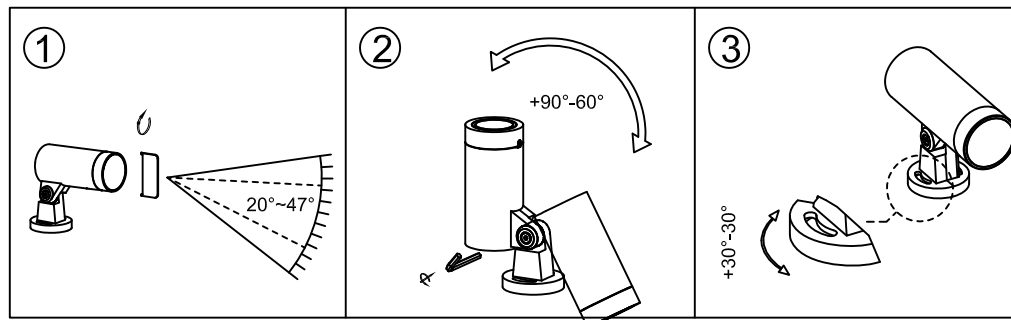


Remark:The picture is for reference only,please refer to the actual product.

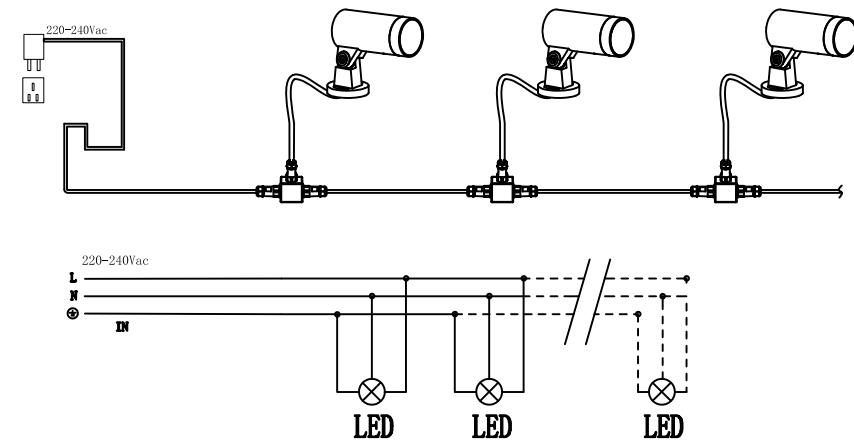
1.FEATURES

- It is high power in-ground lighting.
- Input voltage: 220V AC. When you install this product,please according to the sticker information to do it.
- Please find a qualified electrician or technician to install this product.
- This product is made by aluminum alloy . The surface finish is only available for natural environmentDon't put it into hostile environment like near the sea or high sault , high sour area.
- It is IP65,do not soak into the water.
- Available environment temperature:-20 ~+40.

2.INSTALLATION



High voltage product :



3.WIRING DIAGRAM

- Housing: 12# Alu die-cast,powder coated T=60-80um,according with ISO class 1/ASTM class 4B
- Frame: 12# Alu die-cast
- Glass: 3mm thickness tempered glass
- Power cable: H05RN-F 3X0.75mm²L=2.0m(High voltage)

Available environment temperature: -20℃~40℃

4.SPECIFICATION

Adjustable Angle(°)	Beam angle(°)	Wattage(W)	Operating current(mA)	Ip Class	IK rate
BASE :+90° -60° HORIZONTAL : +-30°	20° ~47°	4.6	250	65	06