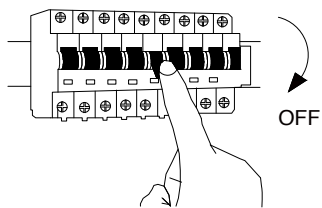


# NOVA LUCE

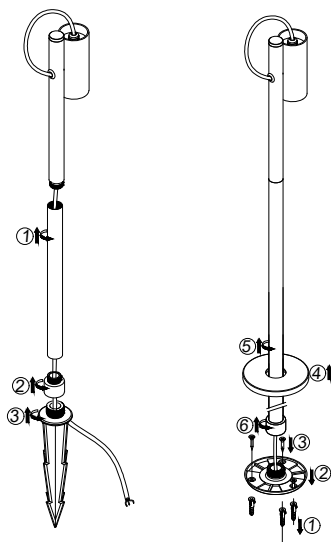
9030115

1



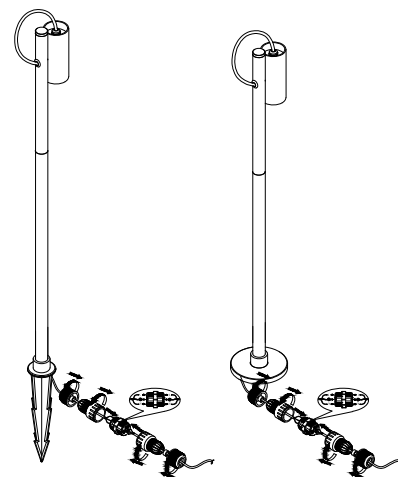
Turn off the general switch

2



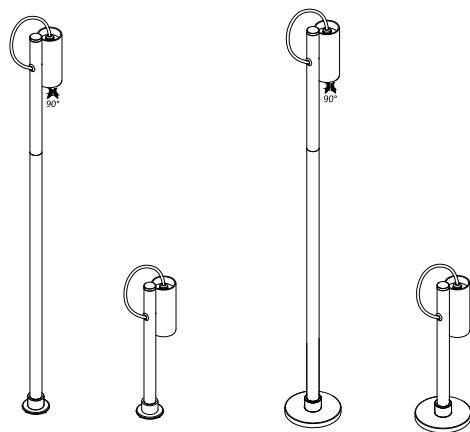
Apply anchors with screws with the parts

3



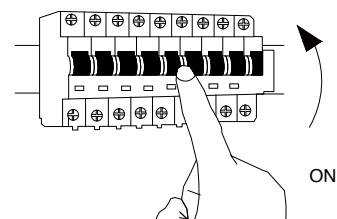
Connect the wires

4



Adjust

5



Turn on the general switch

