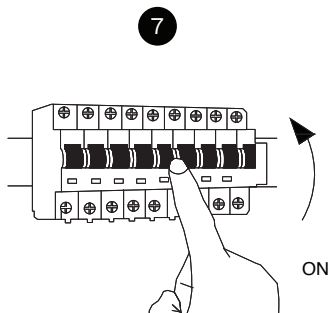
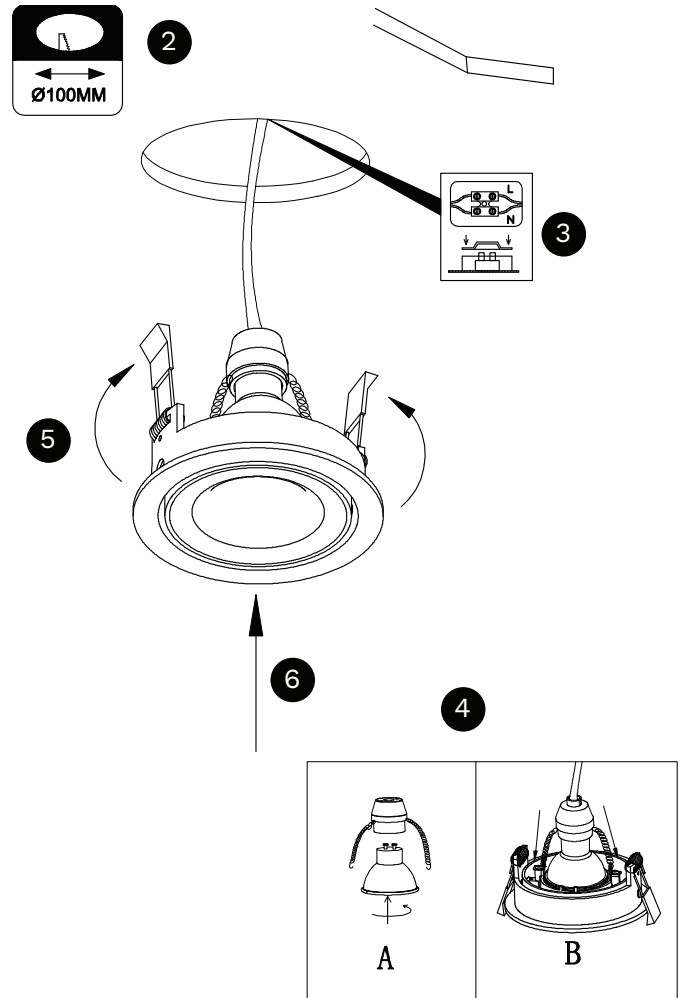


Turn off the general switch



Turn on the general switch



1. Turn off general switch
2. Make a cut out
3. Connect wires
4. Apply the bulb
5. Apply the product in to place
6. Apply the product in to place
7. Turn on the general switch

