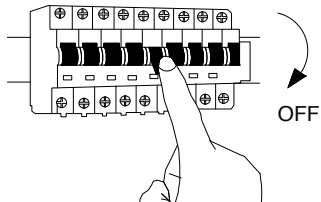


NOVA LUCE

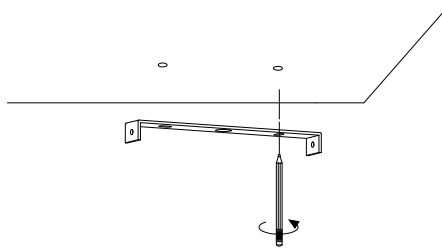
9248182,9248184
9248186,9248188

1



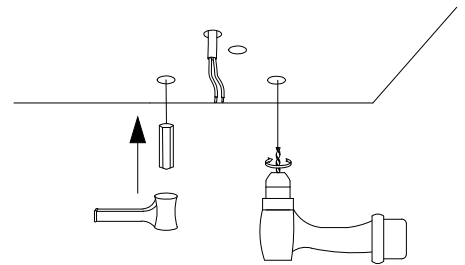
Turn off the general switch

2



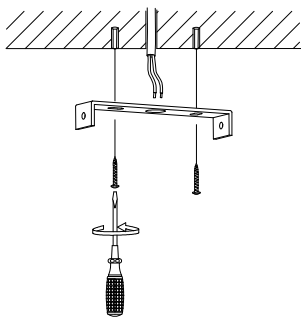
Mark where to drill holes

3



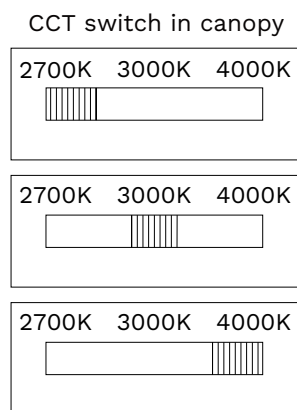
Apply plastic anchors

4



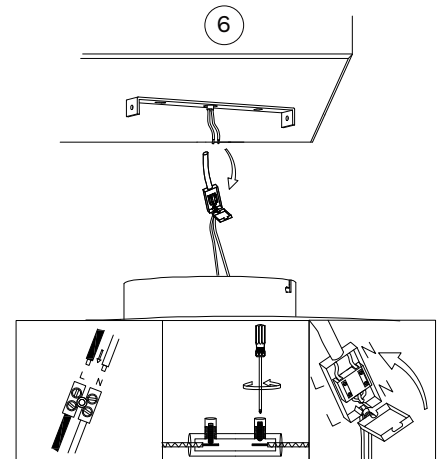
Apply screws

5



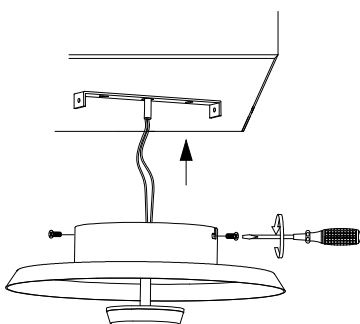
Choose the color temperature

6



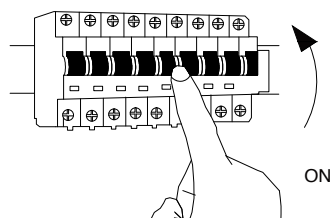
Connect the wires

7

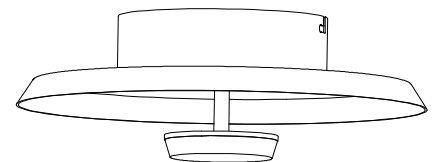


Apply side screws

8



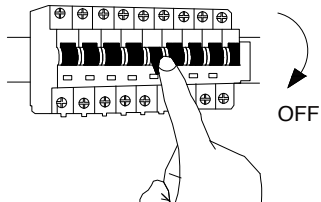
Turn on the general switch



NOVA LUCE

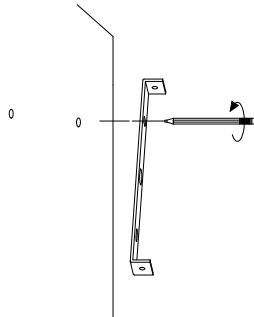
9248182,9248184
9248186,9248188

1



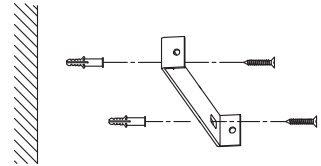
Turn off the general switch

2



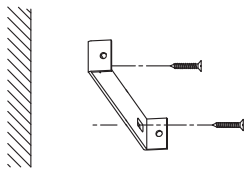
Mark where to drill holes

3



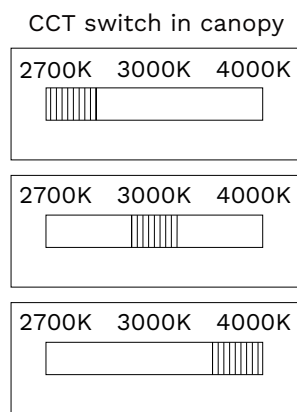
Apply plastic anchors

4



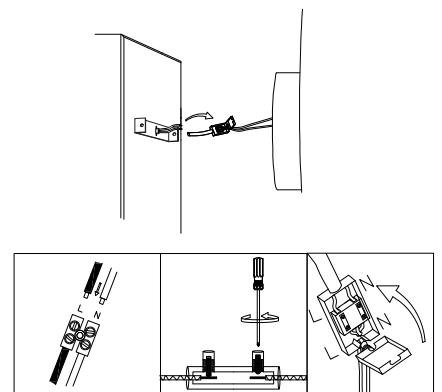
Apply screws

5



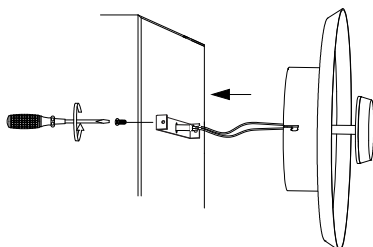
Choose the color temperature

6



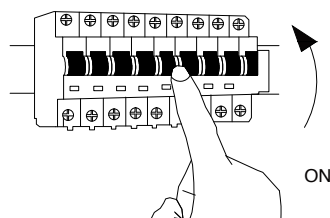
Connect the wires

7



Apply side screws

8



Turn on the general switch

