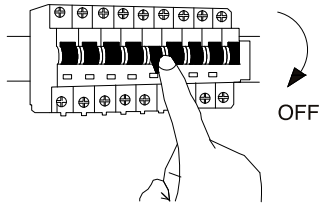
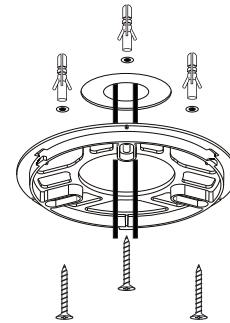


# NOVA LUCE

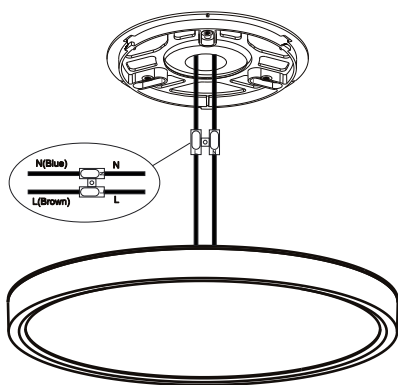
9060186/9060187/9060188/  
9060189/9060190/9060191



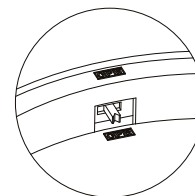
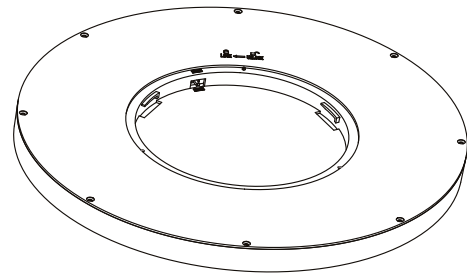
1. Turn off the general switch



2. Mark the area, apply plastic anchors & screws.

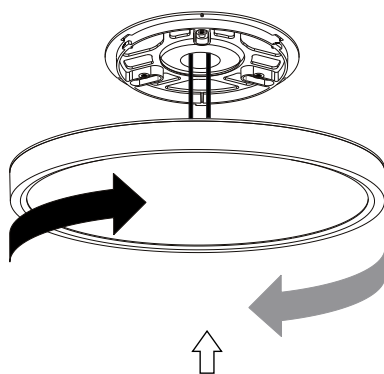


3. Connect the wires.

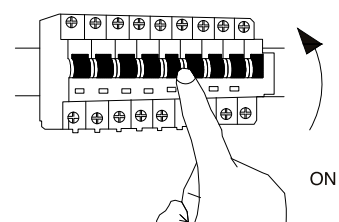


C-6500K  
P-4000K  
W-3000K

4. Adjust the colour temperature.



5. Rotate the lamp body to the mounting base.



6. Turn on the general switch